



ZER^{PRO}ATP[®]

ACTIVE TRANSFER PLATE

Movex[®]
www.movexii.com

**MIR**
www.mir-belting.com

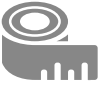
ZEROPRO ATP®

ACTIVE TRANSFER PLATE



Unique design

It solves traditional transfer plate issues.



Short transfer connection

It works perfectly with small products.



Saving (Energy, resources, time)

Fewer resources and time employed.



User-friendliness

Easy installation and interchangeability.



Maintenance free

Zero ATP Pro® doesn't require maintenance.

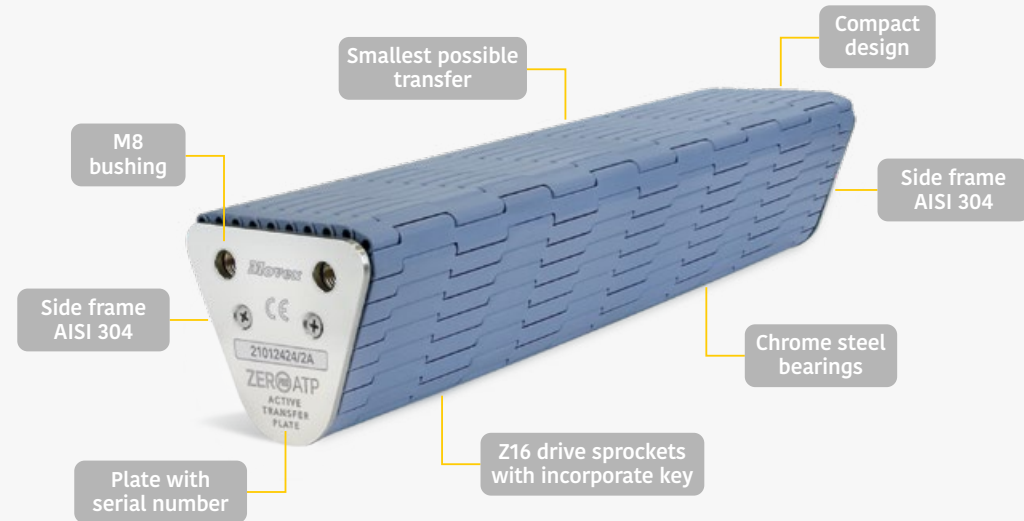


Safer design

Minimized the possibility of injuries.

Description and Features

Movex micropitch 7870 Flat top - Pitch 8 mm - Thickness 6 mm



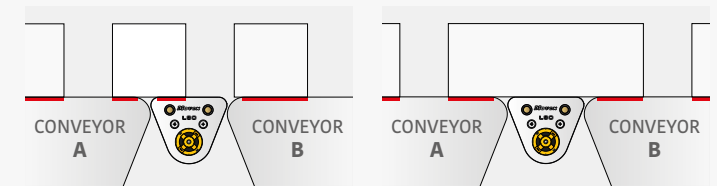
General products features

Belt series	7870 FT
Belt width	6inch ÷ 24inch
Transfer length	80 or 150 mm
Transmission	Mini motor or Keyed shaft
Material	LFA, MX or LFB
Max working load	3000 N/m

Plug and play solution

- Self-tensioning
- Compact design
- Easy installation
- Maintenance free
- Low voltage
- Easy integration

Simultaneous transport of:



LIGHTWEIGHT & SMALL GOODS

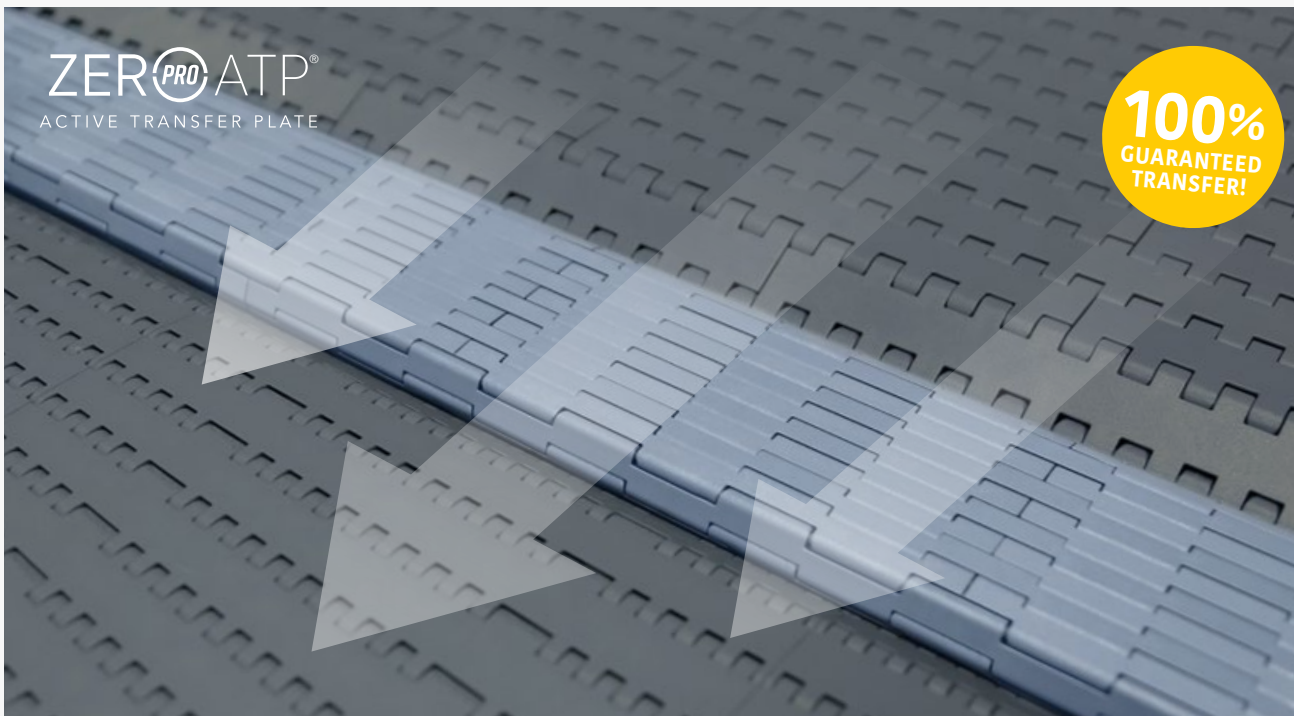
HIGH LOAD & BIG GOODS

Compact, great!

The new **Movex® Zero ATP Pro®**, equipped with micro-pitch 7870 modular belt series, is the smallest active transfer plate available on the market.

With its revolutionary compact shape, **Zero ATP Pro®** is the right choice to connect different conveyors, guaranteeing a smooth product transfer, that can be easily integrated into existing lines by replacing traditional transfers, with limited structural work.

Zero ATP Pro® can be provided with mini-motor or key shaft for an external transmission and is a maintenance and tensioning free system.



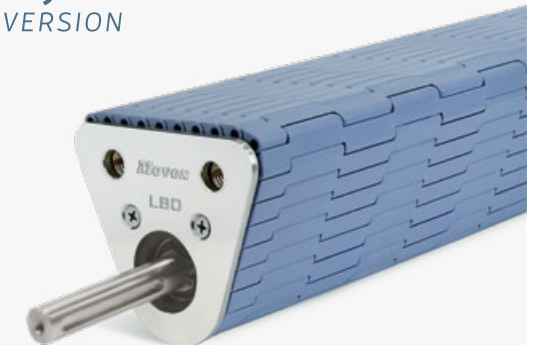
Easy installation | Maintenance free | Compact design | Self-tensioning | Easy integration

Transmission available

Mini Motor VERSION



Keyed shaft VERSION

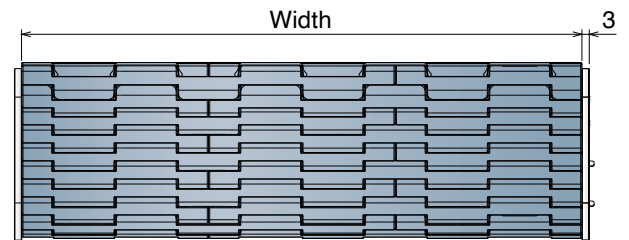
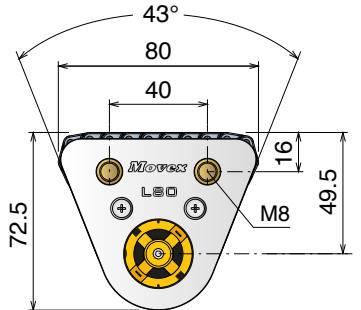


Replace your existing system with **Zero ATP Pro®** and increase your line performance!

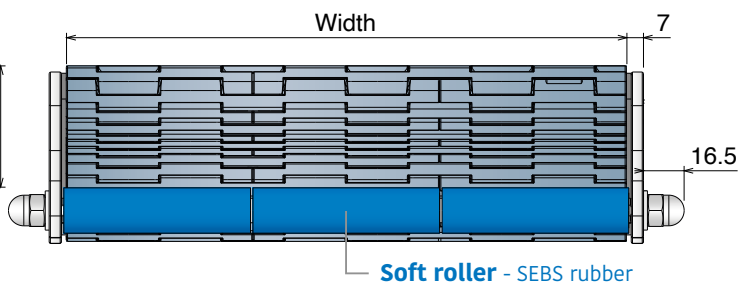
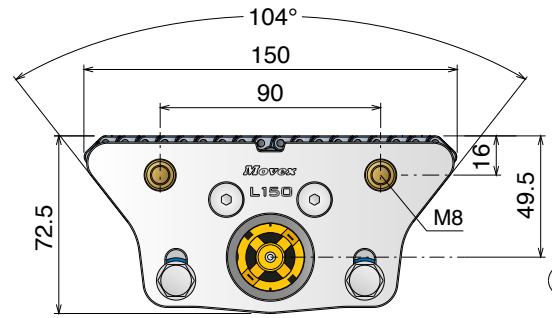
Product details

VERSION A - WITH MINI MOTOR

Length 80 mm



Length 150 mm



Series	*Material	Width	Version
5336	*	0006	A
5336	*	0009	A
5336	*	0012	A
5336	*	0015	A
5336	*	0018	A
5336	*	0021	A
5336	*	0024	A

Series	*Material	Width	Version
5338	*	0006	A
5338	*	0009	A
5338	*	0012	A
5338	*	0015	A
5338	*	0018	A
5338	*	0021	A
5338	*	0024	A

*Material

LFA - Code 01 Low friction Acetal	MX - Code 03 Performance PBT	LFB - Code 23 Low friction Acetal
Max w. load: 3000 N (674" lbs)	Max w. load: 2700 N (606" lbs)	Max w. load: 3000 N (674" lbs)
Weight: 5,8 Kg/m ² (1.59 lbs/ft ²)	Weight: 5,5 Kg/m ² (1.53 lbs/ft ²)	Weight: 5,8 Kg/m ² (1.59 lbs/ft ²)
Temp. range dry: -40÷80 °C (-40÷176°F)	Temp. range dry: -40÷120 °C (-40÷176°F)	Temp. range dry: -40÷80 °C (-40÷176°F)
Temp. range wet: -40÷65 °C (-40÷149°F)	Temp. range wet: -40÷60 °C (-40÷149°F)	Temp. range wet: -40÷65 °C (-40÷149°F)
Pin material: PBT white	Pin material: POM grey	Pin material: PBT white



Mini motor version

Includes a mini-motor assembled at the inside of the module
 Supply 6-15 V dc | Max Torque 6539 g.cm.
 Power Rating 7.85W

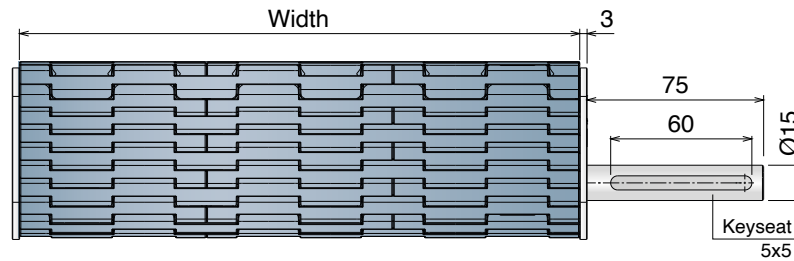
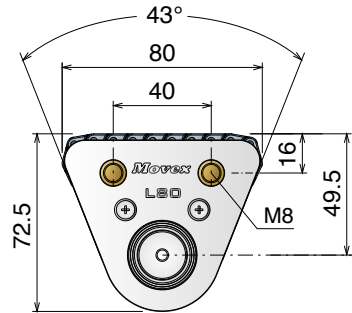
Optional cover for motor connection
Article-Nr. 300601

For a different configuration, contact your sales representative.

Product details

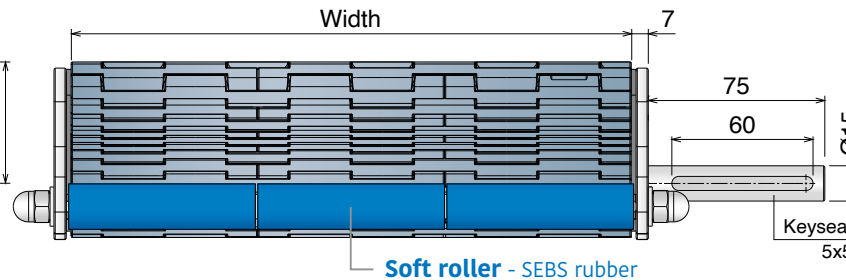
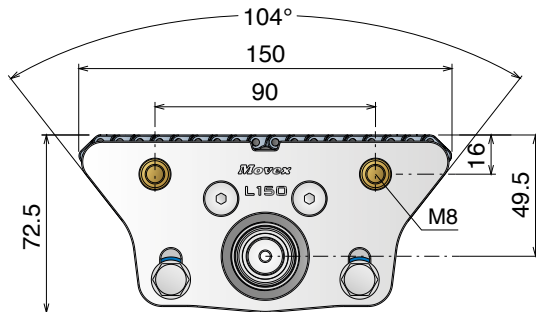
VERSION B - WITH KEYED SHAFT

Length 80 mm



Series	*Material	Width	Version
5336	*	0006	B
5336	*	0009	B
5336	*	0012	B
5336	*	0015	B
5336	*	0018	B
5336	*	0021	B
5336	*	0024	B

Length 150 mm



Series	*Material	Width	Version
5338	*	0006	B
5338	*	0009	B
5338	*	0012	B
5338	*	0015	B
5338	*	0018	B
5338	*	0021	B
5338	*	0024	B

*Material

LFA - Code 01 Low friction Acetal

Max w. load: 3000 N (674" lbs)
Weight: 5,8 Kg/m² (1.59 lbs/ft²)
Temp. range dry: -40÷80 °C (-40÷176°F)
Temp. range wet: -40÷65 °C (-40÷149°F)
Pin material: PBT white

MX - Code 03 Performance PBT

Max w. load: 2700 N (606" lbs)
Weight: 5,5 Kg/m² (1.53 lbs/ft²)
Temp. range dry: -40÷120 °C (-40÷176°F)
Temp. range wet: -40÷60 °C (-40÷149°F)
Pin material: POM grey

LFB - Code 23 Low friction Acetal

Max w. load: 3000 N (674" lbs)
Weight: 5,8 Kg/m² (1.59 lbs/ft²)
Temp. range dry: -40÷80 °C (-40÷176°F)
Temp. range wet: -40÷65 °C (-40÷149°F)
Pin material: PBT white



Keyed shaft version

Includes a 15 mm shaft with standard key seat 5x5 for roller chain transmission.

For a different configuration, contact your sales representative.

Movex®

Movex worldwide

Movex GmbH

P +49-6204-9375-0

Movex Brasil Ltda

P +55-15-3141-2550

Movex France

P +33-06-21-02-79-15

Movex AG India

P +91-120-4159660-62

Movex UK Ltd.

P +44-77-20678442

Movex Nederland

P +31-630-994850

Movex USA Inc.

P +1-877-401-5377

Movex SA de CV

P +52-1-3318458187

Movex CIS Countries

P +39-348-7769760

Movex S.p.A.

Headquarters

Viale Industria, 22 - 24060

Castelli Calepio (BG) Italy

Logistics center

Via Repubblica, 21/E - 24060

Castelli Calepio (BG) Italy

